

迷你式风速计

LD363

使用说明书



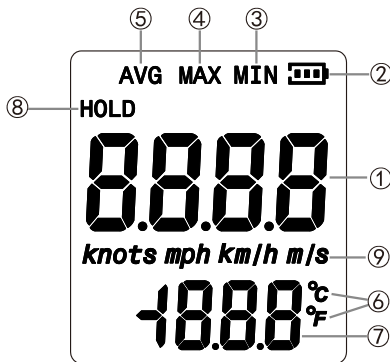
1

在您使用本产品之前,请仔细阅读本说明书。此风速计广泛应用于电力、钢铁石化、节能、航海、风扇制造业、管道通风系统、地下仓库等行业。
此风速计除了测量风速之外,还可以测量风温。

一、功能说明

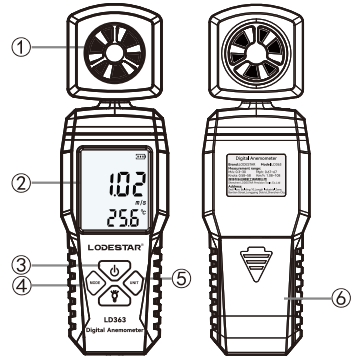
1. 风速及风温测量
2. 风速着位选择最大值、最小值、平均值
3. 数据保持功能
4. 低电显示
5. 手动、自动关机

二、LCD显示说明



- ① 风速显示区
- ② 电池电量符号
- ③ 最小值
- ④ 最大值
- ⑤ 平均值
- ⑥ 温度单位
- ⑦ 温度显示区
- ⑧ 数据锁定
- ⑨ 风速单位

三、本产品整体示意图



- ① 风速传感器
- ② LCD显示屏
- ③ 开关机键
- ④ 数值锁定、最大值、最小值和平均值
- ⑤ 单位切换
- ⑥ 电池盖

2

3

四、操作前准备事项

1. 使用前,请您打开产品背面的电池盖,正确装上AAA*3节电池。
2. 盖好电池盖并使用。
3. 当电量符号显示[]时,表示此时电池电压已经不够用,请更换新电池再继续使用。

五、操作步骤

1. 开机:按一下[]键开机, LCD显示后进入测量状态,此时可以进行风速和温度的测量。
2. 锁定数据/最大值/最小值/平均值:在测量状态下,短按一下[MODE]键,可在锁定数据、最大值、最小值、平均值和正常测量状态之间切换。
3. 温度单位转换:在正常测量状态下长按[UNIT]键2秒不放,可以在[°C]摄氏度和[°F]华氏度之间转换。
4. 风速单位转换:在正常测量状态下短按一下[UNIT]键,可以在m/s、Km/h、mph、knots风速单位之间切换。
5. 背光灯:短按[]一下,背光灯开,再短按一下[],背光灯关。
6. 自动与手动关机设置:在测量正常状态下长按[MODE]键持续3秒,进入自动与手动关机设置画面,短按[]开关机键进行手动关机[OFF]与自动关机[ON]之间的切换,直至完成设置,然后长按[MODE]键持续3秒进行保存设置,并退出设置界面。

4

- ① 设置选择[ON]模式,启用定时自动关机,保存后,在测量状态下,无任何按键操作5分钟后,自动关机。
- ② 设置选择[OFF]模式取消定时自动关机,保存后,需要手动关机。
7. 关机:在测量正常状态下长按[]键直至LCD关闭即可关机。

六、技术参数

技术参数		
风速范围	m/s(米每秒)	0.3~30
	km/h(千米/时)	1.08~108
	mph(英里/时)	0.67~67
	knots(海里/时)	0.58~58
风速精度	±5%rdg±0.1	
风速分辨率	0.1m/s	
温度范围	0°C~50°C/32°F~122°F	
温度分辨率	0.1°C/0.1°F	
供电方式	1.5V AAA*3节电池	
操作环境	0°C~50°C; ≤80%RH不冷凝	
储藏环境	-10°C~60°C; 0%RH~90%RH	

七、注意事项

1. 请勿将仪器存放在高温度,高湿度的地方。
2. 请勿将仪器存放在高浓度盐或硫磺的空气中。
3. 长时间不使用请取出电池,避免电解液漏出损伤本产品。
4. 请勿用酒精、稀释液等清洗仪器,用软布沾少量水清洗即可。

特殊声明:

- a. 旧电池须按照地方法律和规则来处理!
- b. 本公司保留对本产品设计规格及说明书内容的更新和修改权利,若有变更,恕不另行通知!



LODESTAR® 乐达®

深圳市乐达精密工具有限公司

地址: 深圳市龙岗区坂田街道龙壁工业区10栋二楼

邮箱: lodestar@szlodestar.com.cn

乐达坚持以顾客为本 服务电话: (86-755)8253 3796

5

6

MINI DIGITAL ANEMOMETER

LD363
User Manual



Introduction

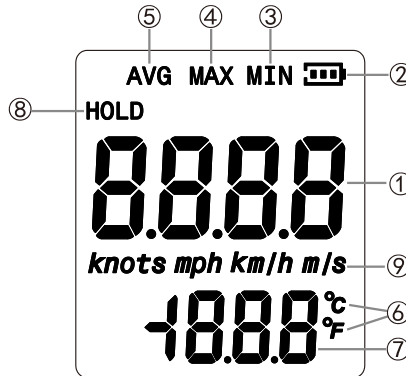
This instruction manual provided the necessary information for how to use it, what need to be careful, what is important notice. To get the maximum performance of this product, please read this user manual in detail before use this instrument, also please keep it in goof place, for later reference

Anemometer are widely used in Electrical, Steel industry. Petrochemical, Energy saving, navigation, Fan manufacturing, Pipe ventilation and Underground warehouse etc. Beside wind speed ,it also can measure the Wind Chill.

1.Features

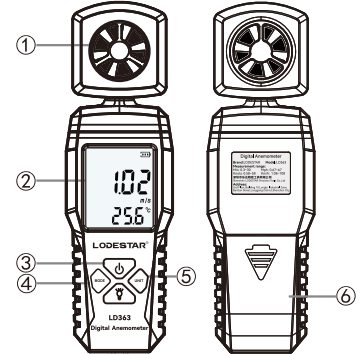
- 1.Wind speed and Wind Chill measurement
- 2.Wind speed unit conversion.
- 3.Data Hold with Maximum, Minimum and Average.
4. Data Hold function
- 5.Low power indication
- 6.Auto or manual power off function

2.LCD screen description



- 1.Wind speed reading area
- 2.Battery Power Icon
- 3.Minimum wind speed value
- 4.Maximum wind speed value
- 5.Average wind speed value
- 6.Temperature unit(°C/°F)
- 7.Temperature Reading area
8. Data Hold icon
- 9.Wind speed units

3.Outlook of this unit



- 1.Wind speed Sensor Head
- 2.LCD Display
- 3.Power On/Off Key
- 4.Data Hold(Maximum, Minimum and Average)Key
- 5.Wind speed unit selection.
- 6.Battery door

4.Preparation before use this unit

- 1.Before use, please open the battery door that located at the back of the unit. Insert three pieces AAA size battery into this compartment with correct polarity.
- 2.Close the battery door.
- 3.If you find the battery power inductor become empty [] ,please replace new battery to sure it work fine before use again.

5.Operation Instruction

- 1.Power On: Depress [] key to turn on the unit, full LCD segment on then go to normal measurement mode. This moment you can take measure of wind speed, wind chill and temperature.
2. Data Hold (Minimum, Maximum and Average Value): At normal measure mode, Depress [MODE] key, frozen the data value with Minimum, Maximum and realtime value in sequentially, screen will show "Hold" icon along with "MAX" or "MIN" icon, depress Hold Key again will release the hold function and "Hold" icon disappear.
- 3.Temperature unit selection(°C/°F) At normal measure mode, depress [UNIT] key more than two seconds, you can select °C/°F sequentially.
- 4.Wind speed unit selection: At normal measure mode depress [UNIT] key once, you can select different unit with m/s, Km/h, mph or knots in sequentially.
- 5.The backlight will be turn on/off by depress the [] button.

- 6.Auto or Manual power off setup: At normal measurement mode, depress [MODE] key more than 3 seconds, unit will go to "Auto" or "Manual" power off screen, depress [] Key to select "Auto OFF" or "Manual" OFF mode in sequentially. When you selected what you wanted, depress [MODE] Key more than 3 second to save the setting and back to normal measurement mode.
 - 6.1 If you selected "ON" mode, that means auto power off selected, if no any key in detected, unit will power off after 5 minutes
 - 6.2 If you selected "OFF" mode, that means you must turn it off by yourself, please turn it off by depress [] key.
7. Power Off: At normal measurement mode, depress [] key until LCD screen off, then unit off.

6.Technical Specification

Technical Specification		
Wind speed range	m/s (Meter /second)	0.3~30
	km/h (Kilometer/hour)	1.08~108
	mph (Mile/hour)	0.67~67
	knots(Nautical/hour)	0.58~58
Wind speed accuracy	+/-5%rdg +/-0.1	
Wind speed resolution	0.1m/s	
Temperature range	0°C~50°C/32°F~122°F	
Temperature resolution	0.1°C/0.1°F	
Power supply	1.5V AAA size battery x 3 pcs	
Operation environment	0°C~50°C: ≤80% RH	
Storage environment	-10°C~50°C:0%~90% RH	

7.Special Notice

- a.Please don't store it at high temperature or high humidity environment.
- b. Please don't store it at high concentration salt or high sulfur environment.
- c.If don't use the instrument for a long period, please take off the battery to prevent leakage of battery
- d.If necessary, wipe the outside surface of the unit, please use the soft, clean cloth.Never use any solvents or cleaning solutions.Ivents or cleaning solutions.

Special Announcement

Our company reserved the right to change the design and the user manual without prior notice to the end user.



LODESTAR® 乐达®
Shenzhen LODESTAR Precision Tools Co.,Ltd
Address:
2nd Floor, Building 10, Longbi Industrial Zone,
Bantian Street, Longgang District, Shenzhen City,
Guang dong Province
Contact number: (86-755)8253 3796
E-mail: lodestar@szlodestar.com.cn

